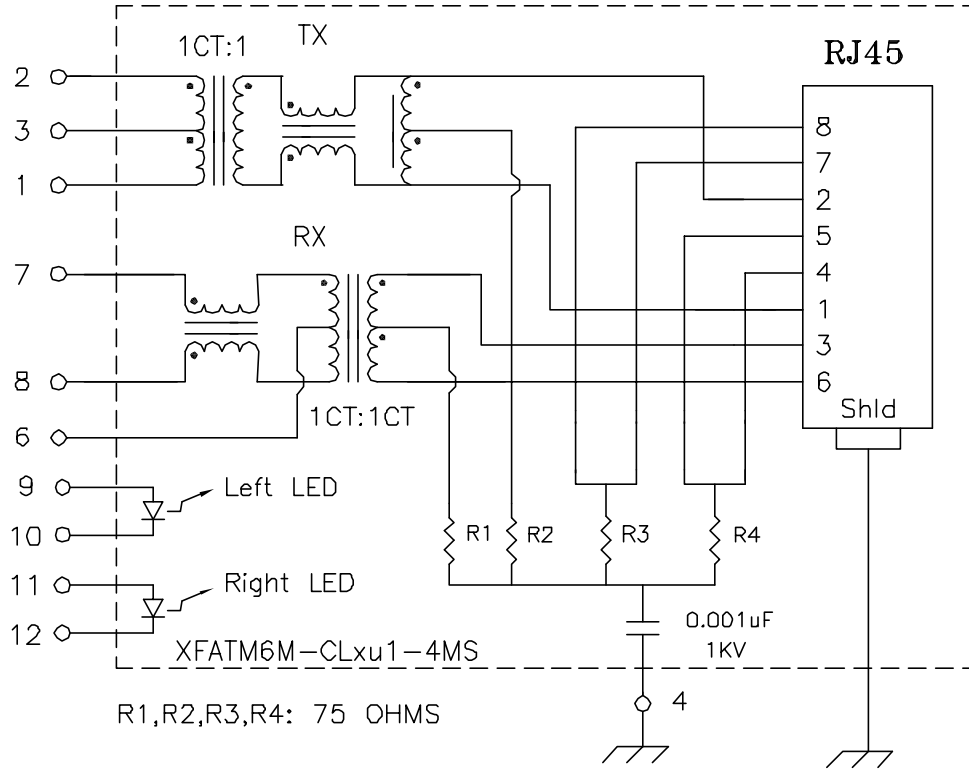


Schematic:



Electrical Specifications: @25°C

Isolation Voltage: 1500 Vrms (INPUT to OUTPUT)
 Isolation Voltage: 500 Vrms (6+7+8 to 1+2+3)
 TURNS RATIO: TX 1CT:1 ±5% RX 1CT:1CT ±5%
 OCL: 350uH Minimum @100KHz 100mV 8mADC
 Insertion Loss (300KHz-100MHz): -1.0dB Typical
 Return Loss: 30MHz -16dB Typical
 60MHz -12dB Typical
 80MHz -10dB Typical
 CROSSTALK: 32MHz -40dB Minimum
 62MHz -35dB Minimum
 100MHz -35dB Minimum

Notes:

1. Solderability: Leads shall meet MIL-STD-202, Method 208D for solderability.
2. Flammability: UL94V-0
3. ASTM oxygen index: > 28%
4. Insulation System: Class F 155°C. UL file E151556
5. Operating Temperature Range: All listed parameters are to be within tolerance from -40°C to +85°C
6. Storage Temperature Range: -55°C to +125°C
7. Aqueous wash compatible
8. SMD Lead Coplanarity: ±0.004"(0.102mm)
9. Moisture Sensitivity: Level 3
10. Electrical and mechanical specifications 100% tested
11. RoHS Compliant Component

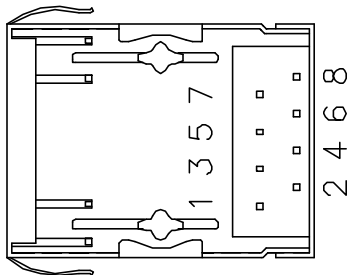
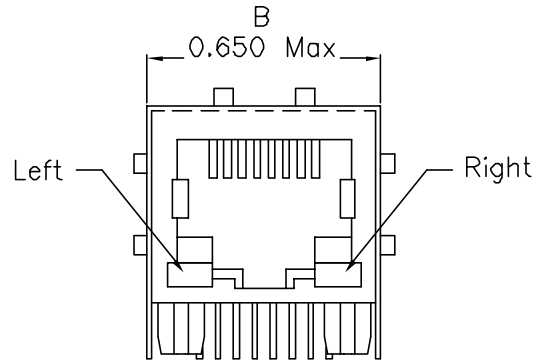
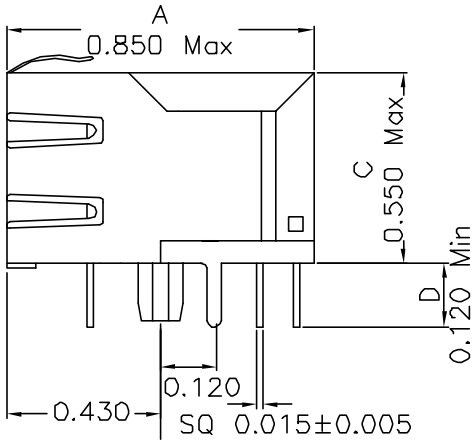
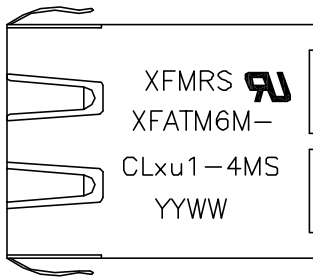
DOC. REV: A/1

XFMRs Inc.	Title: SINGLE PORT COMBO		
	UNLESS OTHERWISE SPECIFIED	P/N: XFATM6M-CLxu1-4MS	REV. A
TOLERANCES: .xxx ±0.010	DWN.	刘鹏	Dec-16-04
Dimensions in Inch	CHK.	李小锋	Dec-16-04
SHEET 1 OF 2	APP.	BW	Dec-16-04

PROPRIETARY:

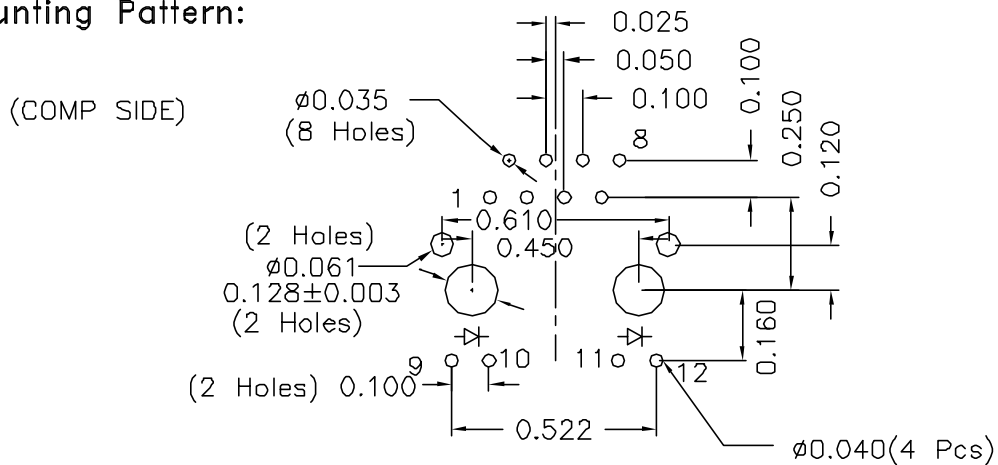
Document is the property of XFMRs Group & is not allowed to be duplicated without authorization.

Mechanical Dimensions:



(BOTTOM VIEW)

Mounting Pattern:



DOC REV: A/1

PROPRIETARY:

Document is the property of XFMRS Group & is not allowed to be duplicated without authorization.

XFMRS Inc.		Title: Mechanical Dimensions For CLxu1-4MS Series	
UNLESS OTHERWISE SPECIFIED	P/N: XFATM6M-CLxu1-4MS	REV. A	
TOLERANCES: .xxx ±0.010	DWN.	Juan Mao	Dec-16-04
Dimensions in Inch	CHK.	YK Liao	Dec-16-04
SHEET 2 OF 2	APP.	BW	Dec-16-04